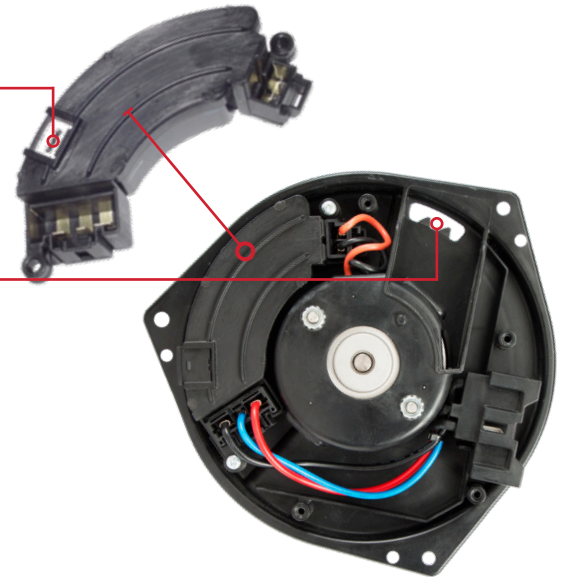


BLOWER MOTORS

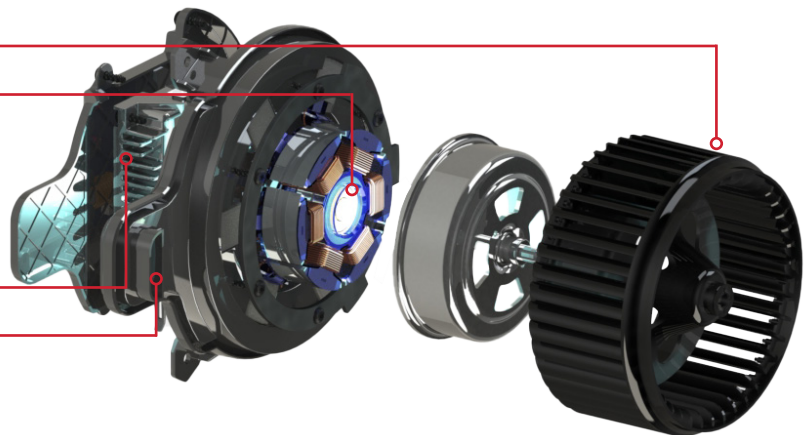
MANUFACTURED TO MEET OR EXCEED OE QUALITY

- 100% end-of-line tested for quality, performance, and durability
- Airtight-sealed electronics
- Stall protection
- EMI suppression
- Over-voltage protection on PWM
- Integrated cooling tube for extended motor life



BRUSHLESS BLOWER MOTORS

- Custom wheel design
- Sensorless open-loop commutation
- Soft-stall and hard-stall protection
- Over-current limit protection
- Soft start/stop acceleration
- Hermetically sealed electronics
- Integrated cooling
- Electronic thermal self-protection



Exclusively at



ORDER TODAY!

CALL YOUR COMMERCIAL SALES MANAGER
OR VISIT AUTOZONEPRO.COM TO LEARN MORE